
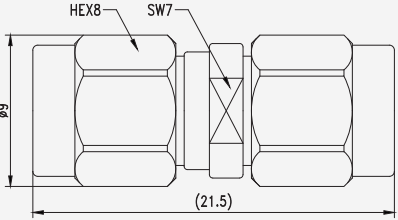

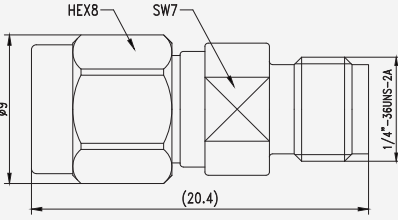

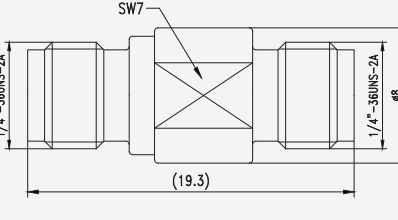


► K/35 series

Frequency(GHz)	26.5G	Material/Surface treatment	
Standing wave	1.15	Outer conductor	Stainless steel/deactivation
Durability	3000times	Inner conductor	Beryllium bronze/gold-plated
		Insulator	PEI

<p>K/35-JJG</p> 	
<p>K/35-JKG</p> 	
<p>K/35-KKG</p> 	
<p>K/35-KJG</p> 